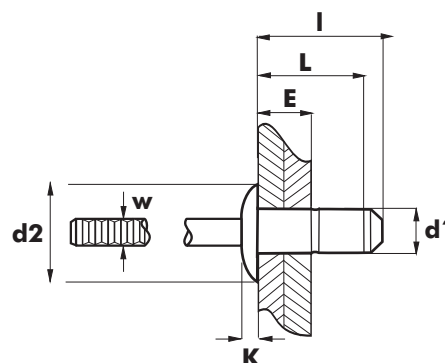
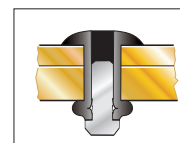
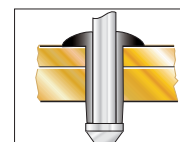


# STEEL HARD GRIP DOME HEAD

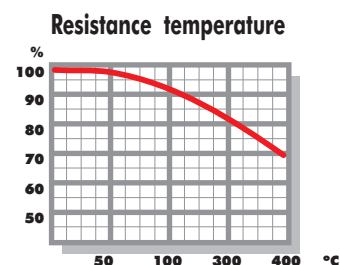


**BODY:** Steel Zinplated  
**MANDREL:** Steel Zinplated

d1 Ø m/m	L m/m	d2 Ø m/m	K m/m	W Ø m/m	M min. m/m	I m/m	MAX. E m/m		COD.
<b>4,0</b>	<b>7,5</b>	<b>7,70</b>	1,30	2,65		10,00	1,0 - 3,0	4,90 - 5,10	01894 00 4008
	<b>9,5</b>					12,00	3,0 - 5,0		01894 00 4010
	<b>12,5</b>					15,00	5,0 - 7,0		01894 00 4013
<b>4,8</b>	<b>9,0</b>	<b>9,20</b>	1,20	3,00		12,00	1,5 - 3,5	4,90 - 5,10	01894 00 4809
	<b>11,5</b>					14,60	3,5 - 6,0		01894 00 4812
	<b>14,5</b>					17,60	6,0 - 8,5		01894 00 4815
<b>6,0</b>	<b>10,5</b>	<b>12,0</b>	2,00	4,00		14,00	1,5 - 4,0	6,10 - 6,30	G1894 00 6010
	<b>13,5</b>					17,00	3,0 - 6,0		G1894 00 6013
	<b>16,5</b>					20,00	6,0 - 9,0		G1894 00 6016
	<b>19,5</b>					23,00	9,0 - 12,0		G1894 00 6019



d1 Ø m/m	L m/m	(N)	(N)
<b>4,0</b>	<b>7,5</b>	2400	2800
	<b>9,5</b>	3500	2800
	<b>12,5</b>	4100	2800
<b>4,8</b>	<b>9,0</b>	3500	3800
	<b>11,5</b>	4200	3800
	<b>14,5</b>	5600	3800
<b>6,0</b>	<b>10,5</b>	4200	5400
	<b>13,5</b>	5400	5400
	<b>16,5</b>	8500	5400
	<b>19,5</b>	8500	5400



**RAL**